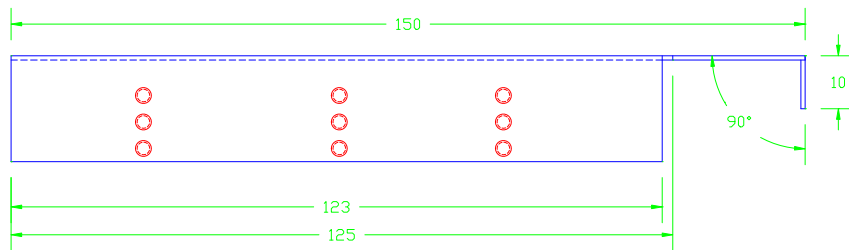
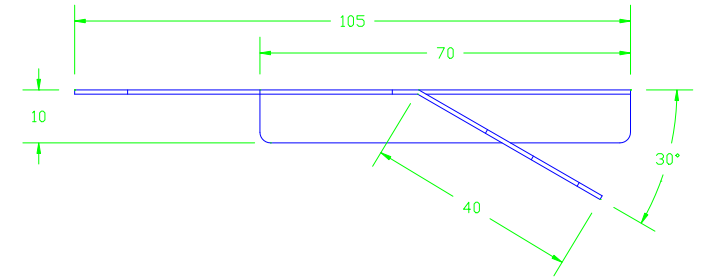
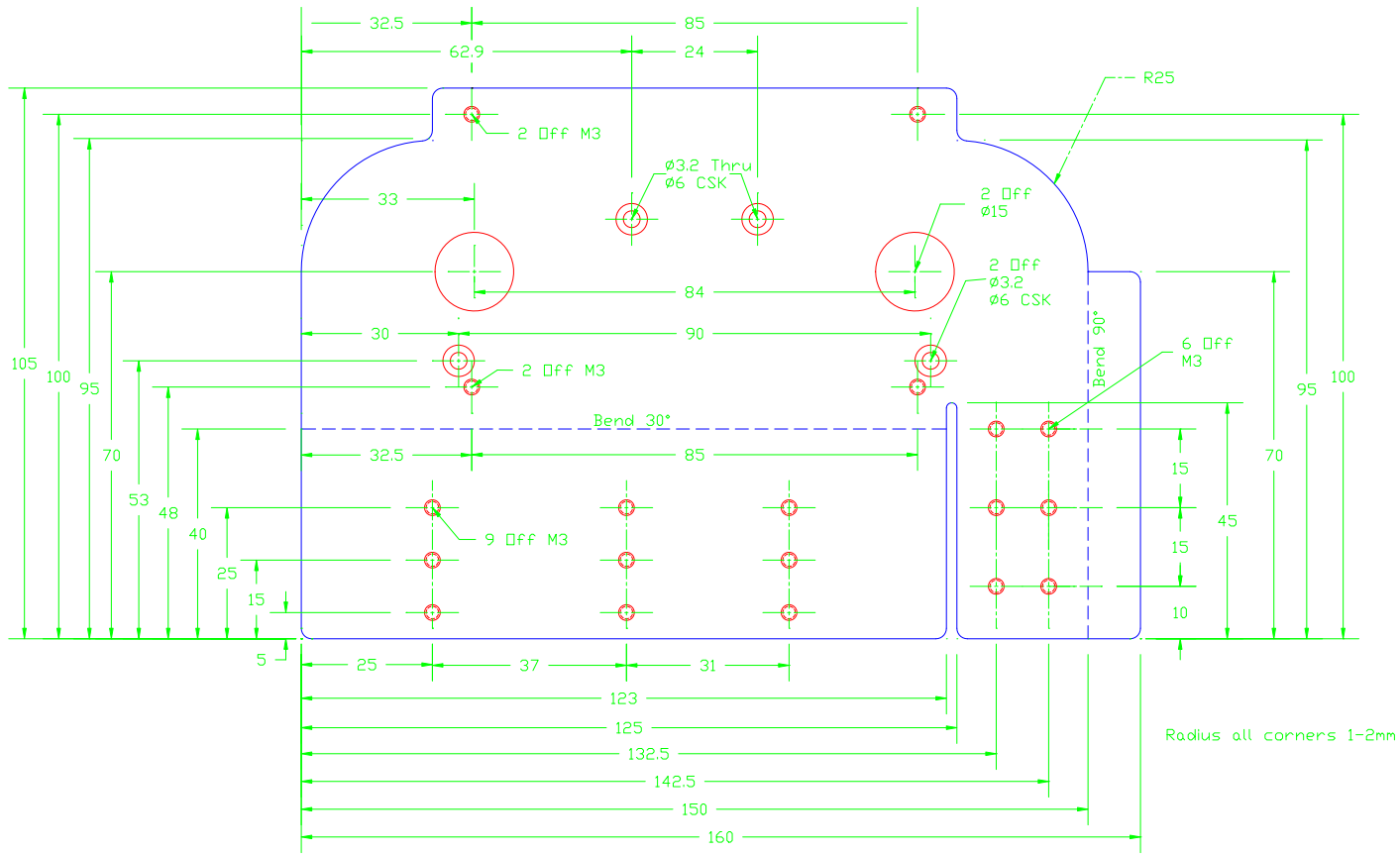


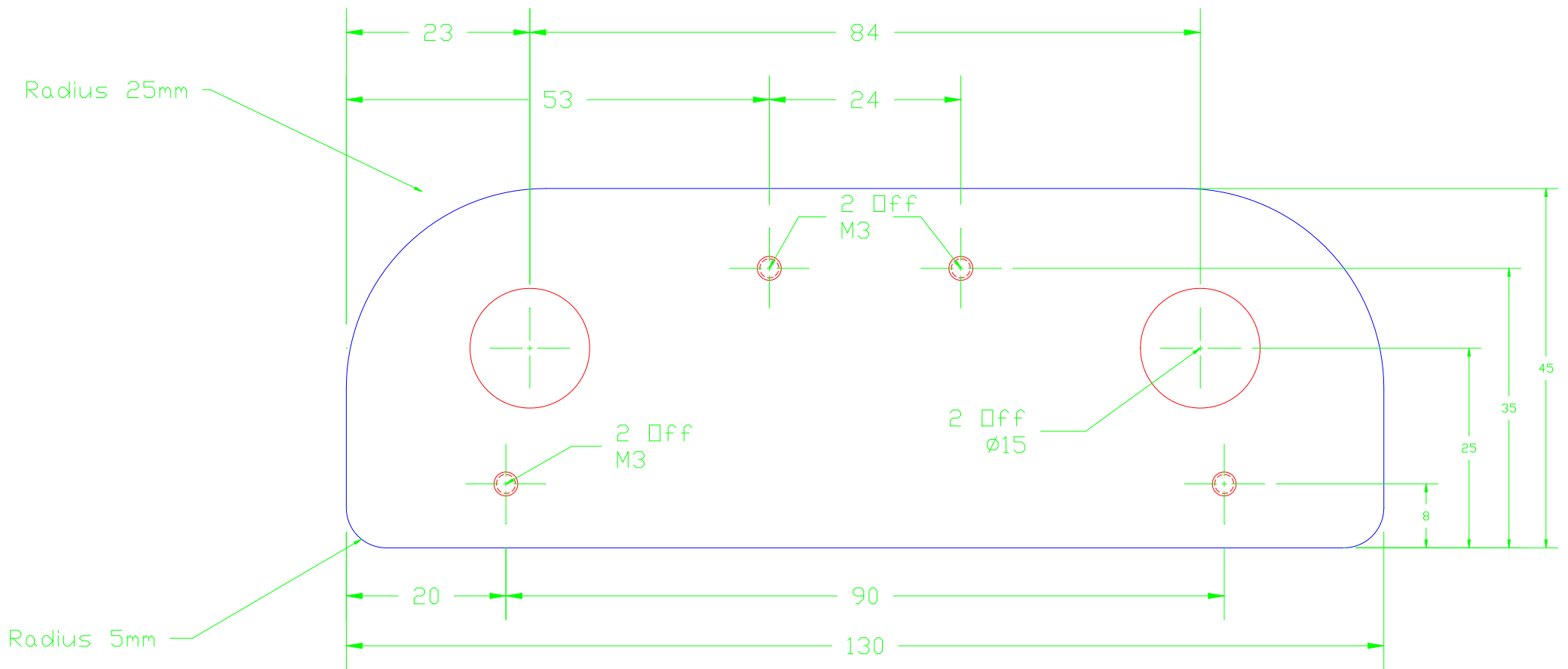
Plan View



Drawn By: Simon Moxon
Date Drawn: 16.07.2018
Title: One Handed Saxophone Main Plate
Material: 0.8mm Stainless Steel Plate

Scale: Full Size

All Dimensions Shown In Millimeters

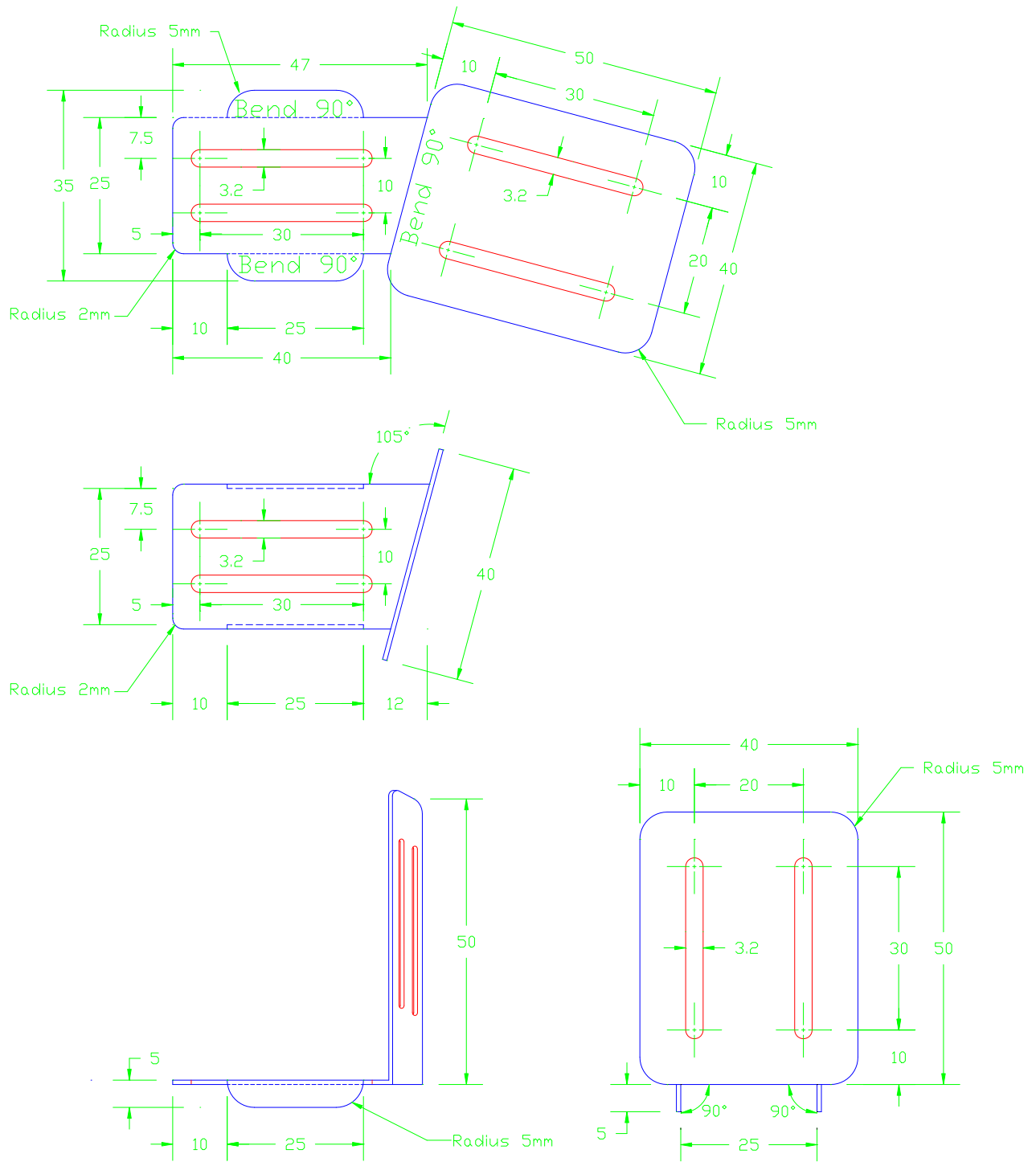


Scale: 2:1

All Dimensions Shown In Millimeters

Drawn By: Simon Moxon
Date Drawn: 16.07.2018
Title: One Handed Saxophone Rear Plate
Material: 0.8mm Stainless Steel Plate

Plan View



All Dimensions Shown In Millimeters

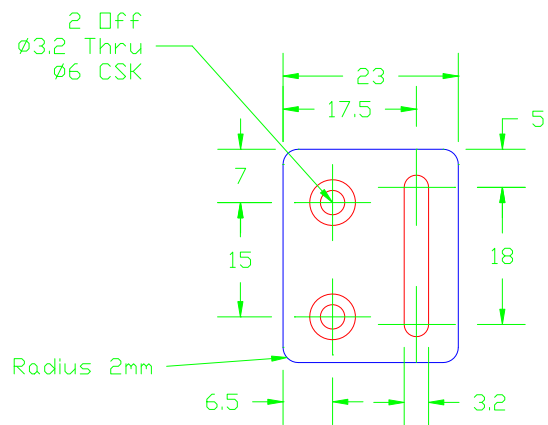
Drawn By: Simon Moxon

Date Drawn: 16.07.2018

Title: One Handed Saxophone
C & D# Solenoid Arm

Material: 0.8mm Stainless Steel Plate

Scale: Full Size



All Dimensions Shown In Millimeters

Drawn By: Simon Moxon

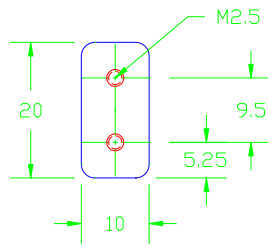
Date Drawn: 16.07.2018

Title: One Handed Saxophone
Solenoid Slider Plate

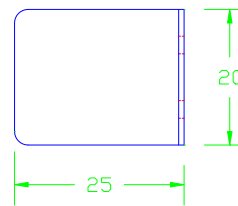
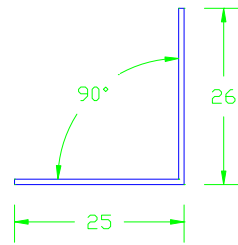
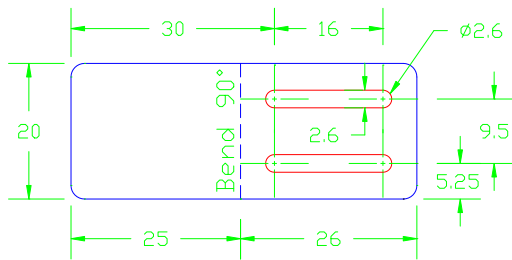
Material: 0.8mm Stainless Steel Plate

Scale: Full Size

Rear Bracket



Plan View



All Dimensions Shown In Millimeters

Drawn By: Simon Moxon

Date Drawn: 16.07.2018

Title: One Handed Saxophone 'C' Plate

Material: 0.8mm Stainless Steel Plate

Scale: Full Size

